

SYSTEMATIC QUALITY

Plugs and sockets

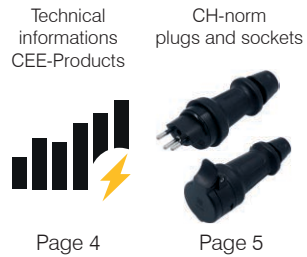


Catalogue



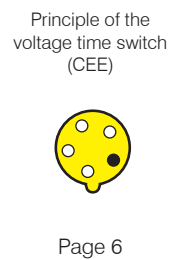
Technical informations CH-norm plugs and sockets

Pages 4-5



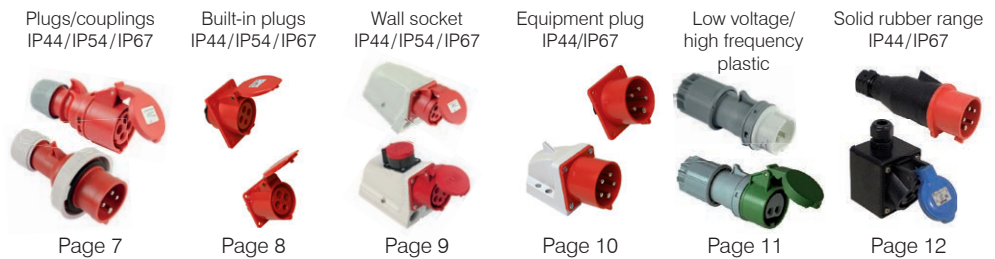
Principle of the voltage time switch (CEE)

Page 6



Plugs/couplings Built-in plugs Special devices CEE

Pages 7-14



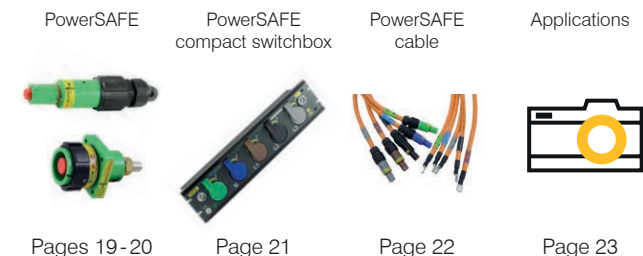
RCCB safety adapter Various plugs and sockets Switchable and fused wall sockets

Pages 15-18



PowerSAFE Applications

Pages 19-23



Low voltage
high frequency
Solid rubber range



Page 13

Phase-sequence
test plugs/
Changeover/Phase
inverters/Adapters



Page 13

Special devices
CEE



Pages 13-14

Material plastic

Our plugs and sockets are for the most part made of PA6 (polyamide) and PC/ABS. These technical plastics have special properties for these applications:

- excellent impact resistance in combination with high rigidity and strength
- high thermal stability
- very good insulating properties
- high breakdown strength
- high wear resistance
- high weather resistance
- very good chemical resistance to a large number of various chemicals
- free from cadmium and halogens (fluoride, chloride, bromine, iodine, astatine)
- compatible with RoHS Directive 2002/95/EC

Contacts

The contacts are made of a **copper-zinc alloy**. These have good properties for contact connections, such as:

- high electrical conductivity 15 MS/m / (m/Ω mm²)
- high tensile strength 103kN/mm²
- high corrosion resistance in industrial atmosphere sector
- in nickel-plated version increased corrosion resistance in the area of seawater, water vapour, sulphur compounds, agriculture, dairies
- compatible with RoHS Directive 2002/95/EC

CEE couplings and -plug sockets 63A and 125A include a CuBe laminated spring with optimal bonding and corrosion protection.

Temperatures

IEC/EN 60309 applies to CEE plugs and sockets, which are used in an ambient temperature that does not normally exceed a range of -25°C to +40°C. Our CEE plugs and sockets have a **temperature resistance of -25°C to +80°C, in the short term 1h +100°C.**

Connection terminals

The pillar terminals are designed for the following maximum line cross sections:

Rated current	Line cross-section	
	flexible mm ²	Rigid (single-multi-strand) mm ²
16	4	6
32	6	10
63	16	25
125	50	70

Product specifications

Plugs and sockets plastic:

- all contact screws:
 - accessible from one direction
 - cannot be lost and open
 - with combination slot
- laminated fields guarantee:
 - low insertion and separating forces
 - reduction of electric resistance
 - self-cleaning
 - optimal bonding: at least 10 contact points

Advantages plugs and couplings:

- cable relief and sealing of the line by tightening screw connection
- 100% tightness of cable inlet
- optimal anti-kink protection
- easy opening by unlocking and turning
- optimal grip
- large terminal compartment = fast, easy connection of cable
- open contact clamps

Sturdiness:

- for unfavourable environmental conditions
- special impact resistance
- highly heat-resistant contact carriers
- corrosion-protected contacts (e.g. in chemical plants)

Screwless plugs and sockets:

Screwless plugs and sockets can be used for housing all conductor cross-sections according to standard: for flexible, stripped wires with or without wire end sleeves or single filament stripped wires.

- **no adjusting and locking via additional sliders required**
- **screwless TT clamps (patented) (TT = TurboTwist)**
 - opened contact clamps in delivery condition
 - fast, easy connection of cable
 - opening and closing at the touch of a finger (without tools)

Low voltage/high frequency:

Safety extra-low voltage is a protective measure for use under unfavourable conditions; the rated value in AC voltage is limited to 50V at most. A secondary keyway is used to distinguish between voltage and frequency.

Solid rubber plugs and sockets:

GIFAS solid rubber plugs and sockets have a very high load-bearing capacity, offer maximum safety and durability.

- absolutely unbreakable
- nickel-plated contacts
- with threaded cable connection

Plugs and sockets type 13, 15, 23, 25

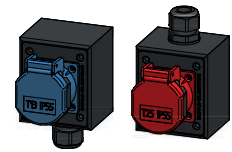
The entire CH-norm standard range for 10A and 16A (new) in the voltages 230/400V. All pins and sleeves are in a nickel-plated version.

Plugs IP55 black



Item no.	Designation	No. of poles	Voltage (50-60Hz)	Strength of current
✓ 860813	Plug black T13	P+N+E	230V	10A
✓ 860823	Plug black T23	P+N+E	230V	16A
✓ 860815	Plug black T15	3P+N+E	230/400V	10A
✓ 860825	Plug black T25	3P+N+E	230/400V	16A

Sockets surface mounting IP55



Item no.	Designation	Design	No. of poles	Voltage (50-60Hz)	Strength of current
✓ 228539	Socket T13	AP-M20 ¹⁾ or ²⁾	P+N+E	250V	10A
✓ 050045	Socket T23	AP-M20 ¹⁾ or ²⁾	P+N+E	230V	16A
228541	Socket T15	AP-M20 ¹⁾ or ²⁾	3P+N+E	230/400V	10A
228542	Socket T25	AP-M20 ¹⁾ or ²⁾	3P+N+E	230/400V	16A

¹⁾ = cable gland from above ²⁾ = cable gland from below

Right-angle plug IP55 black



Item no.	Designation	No. of poles	Voltage (50-60Hz)	Strength of current
861113	Right-angle plug T13	P+N+E	230V	10A
861123	Right-angle plug T23	P+N+E	230V	16A
861115	Right-angle plug T15	3P+N+E	230/400V	10A
861125	Right-angle plug T25	3P+N+E	230/400V	16A

Built-in sockets IP55



IK07

Item no.	Designation	No. of poles	Voltage (50-60Hz)	Strength of current
✓ 860913	Socket blue T13	P+N+E	230V	10A
✓ 860914	Socket grey T13	P+N+E	230V	10A
✓ 860915	Socket red T15	3P+N+E	400V	10A
✓ 860916	Socket black T13	P+N+E	230V	10A
✓ 860923	Socket blue T23	P+N+E	230V	16A
✓ 860924	Socket grey T23	P+N+E	230V	16A
✓ 860925	Socket red T25	3P+N+E	400V	16A

Couplings IP55 black



Item no.	Designation	No. of poles	Voltage (50-60Hz)	Strength of current
✓ 860814	Coupling black T13	P+N+E	230V	10A
✓ 860824	Coupling black T23	P+N+E	230V	16A
✓ 860816	Coupling black T15	3P+N+E	230/400V	10A
✓ 860826	Coupling black T25	3P+N+E	230/400V	16A

✓ from stock, offer subject to prior sale.
 Technical Information on page 4.
 Other versions available on request.

Principle of the voltage time switch (clock position)

The clock shows the position of the protection conductor contact for unchanging lug or groove on the casing. The lug or groove adopts the 6 o'clock position in all versions. Unlike the lug or groove, the protection conductor contact has a standardised clock setting conforming to the required electrical values. To allow the product to be easily identified, the various clock positions are assigned the colours given in the standard.

Operating voltage

- 20 - 25V
- 40 - 50V
- 100 - 130V
- 200 - 250V
- 380 - 480V
- 500 - 690V
- >60 - 500 Hz

Code colours

- violet
- white
- yellow
- blue
- red
- black
- green

Position of the protection conductor contact socket relative to the polarising slot for different operating voltages (V) and frequencies (Hz) conforming to IEC 60309

Clock position of the protection conductor contact and colour coding:

	4 h	9 h	6 h	11 h	7 h	5 h	12 h	1 h	10 h	2 h	3 h	8 h
Frequency Hz	50-60	50-60	50-60	60	50-60	50-60	50-60	-	100-300	over 300 up to 500	50-60	
Voltage V	57/100 – 75/130	120/208 – 144/250	200/346 – 240/415	250/400 – 265/460	277/480 – 288/500	347/600 – 400/690		over 50	over 50	over 50	220/380 – 250/440 16+32A	
5-pol. 3P+N+E												
Voltage V	100 - 130	200 - 250	380 - 415	440 - 460	480 - 500	600 - 690	Voltages after isolating transformer*		over 50	over 50	380 - 440 only for 16+32A	
4-pol. 3P+E												
Voltage V	100 - 130	380 - 415	200 - 250		480 - 500	277*	Voltages after isolating transformer		*		over 50 – 250 direct current	over 250 direct current
3-pol. 2P+E												

View from the front of the coupling sockets on the contact sockets / 63A + 125A plugs and sockets with pilot contact
 *These versions are not standardised.

Position of the secondary lug to the primary lug for voltages up to 50V and frequencies up to 500Hz and colour coding:

	-	12h	4h	2h	3h	11h	10h
Frequency Hz	50-60	50-60	100-200	300	400	over 400 up to 500	GS
Voltage V	20-25	40-50	40-50	up to 50	up to 50	up to 50	up to 50
2-pole							
3-pole							

View from the front of the coupling sockets on the contact sockets

Plastic range IP44 / IP54, IP67 (CEE)

Plug/coupling



Plastic plugs CEE IP44 / IP54

No. of poles	Strength of current		Item no.	Item no.	Item no.	Item no.	Item no.
2P+E	16 A	✓	056857	059380	175749	010499	048661
2P+E	32 A	✓	057211	201040			100681
3P+E	16 A		042152	✓ 056858	058033	✓ 059621	113924
3P+E	32 A		104921	✓ 056859	058035	043782	016364
3P+N+E	16 A		072083	✓ 056860	✓ 021054	112042	048663
3P+N+E	32 A		022117	✓ 056861	✓ 040539		100680
3P+N+E	16 A			✓ *028789			
3P+N+E	32 A			✓ *028790			

*Plastic plug CEE screwless

Plastic couplings CEE IP44 / IP54

No. of poles	Strength of current		Item no.	Item no.	Item no.	Item no.	Item no.
2P+E	16 A	✓	056864	059295	198681	010500	041505
2P+E	32 A	✓	057213	126223			029790
3P+E	16 A		103350	✓ 056865	058039	043787	
3P+E	32 A		128194	✓ 056866	042539	043788	111965
3P+N+E	16 A		103976	✓ 056867	✓ 040327	112043	048743
3P+N+E	32 A			✓ 056868	✓ 040541		157880
3P+N+E	16 A			✓ *028791			
3P+N+E	32 A			✓ *028792			

*Plastic plug CEE screwless



Plastic plugs CEE IP67

No. of poles	Strength of current		Item no.	Item no.	Item no.	Item no.	Item no.
2P+E	16 A	✓	055992	150499	✓ 053393	154408	
2P+E	32 A		059788				
2P+E	63 A		049612				
3P+E	16 A		152062	✓ 055996	✓ 043750	043783	
3P+E	32 A			✓ 055997	043751	043785	
3P+E	63 A		187653	✓ 055998	✓ 058036		107634
3P+E	125 A		203525	✓ 056862	043762		198933
3P+N+E	16 A		018693	✓ 055993	050753		225228
3P+N+E	32 A		035455	✓ 055994	✓ 013929		028493
3P+N+E	63 A		023613	✓ 055995	✓ 050752		✓ 028491
3P+N+E	125 A			✓ 056863	059085		193089

Plastic couplings CEE IP67

No. of poles	Strength of current		Item no.	Item no.	Item no.	Item no.	Item no.
2P+E	16 A	✓	056000	172955	033144	171655	019764
2P+E	32 A		020580				
2P+E	63 A		046384				
2P+E	125 A		187654				
3P+E	16 A		042188	✓ 056004	043752	043796	
3P+E	32 A		212776	✓ 056005	043753	043797	
3P+E	63 A		142199	✓ 056006	043758		
3P+E	125 A		203526	✓ 056869	043760		
3P+N+E	16 A		018694	✓ 056001	033143		
3P+N+E	32 A		114165	✓ 056002	✓ 029090		233323
3P+N+E	63 A		023614	✓ 056003	✓ 032779		✓ 162617
3P+N+E	125 A			✓ 056870	017491		169211

✓ from stock, offer subject to prior sale.

Technical Information on page 4.

Other versions, dimensions, protective caps for plug on request.

Built-in sockets



Plastic slanted built-in sockets CEE IP44/IP54



No. of poles	Strength of current		Item no.	Item no.	Item no.	Item no.	Item no.
2P+E	16A	✓	056929	059378	189577	191980	104417
2P+E	32A	✓	057214	169321	216890		164553
3P+E	16A		042150	✓ 056930	043776	✓ 019422	113926
3P+E	32A		022626	✓ 056932	043777	019425	033548
3P+N+E	16A		103603	✓ 056931	✓ 021056	147276	197384
3P+N+E	32A		010076	✓ 056933	✓ 044812		229602



Plastic slanted built-in sockets CEE IP67

No. of poles	Strength of current		Item no.	Item no.	Item no.	Item no.	Item no.
2P+E	16A	✓	055975	112089	130299		
3P+E	16A		053396	✓ 055976	043778		
3P+E	32A			✓ 055978	043779		
3P+E	63A		162794	✓ 055988	043780		
3P+E	125A			056934	043781		198932
3P+N+E	16A		159010	✓ 055977	050751		
3P+N+E	32A		144977	✓ 055980	✓ 029093		028490
3P+N+E	63A		128330	✓ 055367	050750		028479
3P+N+E	125A			✓ 056935	044381		



Plastic straight built-in sockets CEE IP44/IP54

No. of poles	Strength of current		Item no.	Item no.	Item no.	Item no.	Item no.
2P+E	16A	✓	056936	054780	175750	023069	048662
2P+E	32A	✓	057215	201039			197897
3P+E	16A		141802	✓ 056937	043766	043807	113925
3P+E	32A		029293	✓ 056939	043767	043808	033555
3P+N+E	16A		181990	✓ 056938	✓ 054832		048665
3P+N+E	32A		105631	✓ 056940	✓ 016006		106911



Plastic straight built-in sockets CEE IP67

No. of poles	Strength of current		Item no.	Item no.	Item no.	Item no.	Item no.
2P+E	16A	✓	056077				
2P+E	32A		118796				
3P+E	16A		136772	✓ 056078	043765	043809	
3P+E	32A		136773	056079	043763	043810	
3P+E	63A		136774	✓ 055990	042795		020200
3P+E	125A			056943	043769		
3P+N+E	16A		025978	✓ 055684	153561		
3P+N+E	32A		035456	✓ 055989	✓ 029092		
3P+N+E	63A		163720	✓ 055991	041267		210351
3P+N+E	125A			✓ 056945	212867	212867	

✓ from stock, offer subject to prior sale.
 Technical Information on page 4.
 Other versions available on request.

Plastic wall sockets CEE IP44/IP54/IP67

Wall sockets



Plastic wall sockets CEE IP44/IP54



No. of poles	Strength of current	Cable connection	Item no.	Item no.	Item no.	Item no.	Item no.
2P+E	16 A	M25	✓ 056992	102569	181826	035521	034447
2P+E	32 A	M25	057216				100679
3P+E	16 A	M25	014400	✓ 056995	058038	043812	036122
3P+E	32 A	M25	025475	✓ 056997	043770	043814	016366
3P+N+E	16 A	M25	057194	✓ 056996	✓ 060051		034445
3P+N+E	32 A	M25	026902	✓ 056998	✓ 022065		100678



Plastic wall sockets CEE IP67

No. of poles	Strength of current	Cable connection	Item no.	Item no.	Item no.	Item no.	Item no.
2P+E	16 A	M25	✓ 056994		055396	154407	101188
3P+E	16 A	M25	152060	✓ 056999	043772	043815	
3P+E	32 A	M25		057000	043773	043816	
3P+E	63 A	2×M32, 1×M40	185278	057001	043774		
3P+E	125 A	2×M40, 1×M63		057003	✓ 043775		
3P+N+E	16 A	M25	156862	✓ 057004	029848		
3P+N+E	32 A	M25		✓ 057005	029091		
3P+N+E	63 A	2×M32, 1×M40	182193	✓ 057006	050754		157830
3P+N+E	125 A	1×M63, 2×M40		✓ 057007	147052		



Wall sockets CEE for wiring through IP44

No. of poles	Strength of current	Cable connection	Item no.	Item no.	Item no.	Item no.	Item no.
3P+N+E	16 A	M25		✓ 021637	033263		
3P+N+E	32 A	M25		✓ 045997	105891		



Wall socket combinations CEE in plastic IP44/IP54



No. of poles	Strength of current	Equipment	Cable	Item no.	Item no.
2P+E	16 A	CEE 16/3+T23	above, 2× below or at the back, Ø20 mm (M25)	236901	
3P+N+E	16 A	CEE 16/5+T23	above, 2× below or at the back, Ø20 mm (M25)		✓ 236902
3P+N+E	16 A	CEE 16/5+T25	above, 2× below or at the back, Ø20 mm (M25)		✓ 236900
3P+N+E	32 A	CEE 32/5+T23	above, 2× below or at the back, Ø20 mm (M25), protected by fuse 10 A		✓ 236903

✓ from stock, offer subject to prior sale
 Technical Information on page 4
 Other versions available on request.

Built-in and wall mounted plugs



Plastic built-in equipment plugs CEE IP44



No. of poles	Strength of current	Cable connection	Item no.	Item no.	Item no.	Item no.	Item no.
2P+E	16A		✓ 056461	126180			034000 054805
2P+E	32A		028147				
3P+E	16A		039389	056462	051275	051279	
3P+E	32A		113744	056463	051276	051281	
3P+N+E	16A			✓ 056460	177503		
3P+N+E	32A			✓ 056464	✓ 029095		230247

Plastic built-in equipment plugs CEE IP67



No. of poles	Strength of current	Cable connection	Item no.	Item no.	Item no.	Item no.	Item no.
2P+E	16A		038950				
3P+N+E	16A		117799	038949	180601		
3P+N+E	32A			038948	118897		
3P+E	63A			056465	220915		
3P+E	125A			✓ 040467	017204		
3P+N+E	63A			✓ 056466	✓ 177504		✓ 225408
3P+N+E	125A			✓ 011577	✓ 017489		✓ 169209

Plastic wall equipment plugs CEE IP44



No. of poles	Strength of current	Cable connection	Item no.	Item no.	Item no.	Item no.	Item no.
2P+E	16A	M25	✓ 057008				
2P+E	16A	M25	✓ 043932*				
2P+E	32A	M25	057217				
3P+E	16A	M25		057009	051283	051287	
3P+E	32A	M25		057011	051284	051288	
3P+N+E	16A	M25	141952	✓ 057010	116960		221129
3P+N+E	16A	M25		✓ 046850*			
3P+N+E	32A	M25		✓ 057012	109288		225407
3P+N+E	32A	M25		055285*			

* Plastic wall equipment plugs with cover

Plastic wall equipment plugs CEE IP67



No. of poles	Strength of current	Cable connection	Item no.	Item no.	Item no.	Item no.	Item no.
2P+E	16A	M20	145002				
3P+E	16A	M20		163946			
3P+N+E	16A	M20		145001			
3P+N+E	32A	M25		144999	216048		233322
3P+E	63A	2×M32, 1×M40		✓ 057013	051285		
3P+E	125A	2×M40, 1×M63		057015	051286		
3P+N+E	63A	2×M32, 1×M40		✓ 057014	✓ 031013		✓ 193099
3P+N+E	125A	2×M40, 1×M63		✓ 057016	✓ 168684		✓ 220261

✓ from stock, offer subject to prior sale.

Technical Information on page 4.

Other versions, dimensions, protective caps on request.

Plastic low voltage/high frequency (CEE)

Low voltage / high frequency



Plastic plug CEE,
cable inlet with anti-kink sleeve, IP44

Polzahl	Strength of current	Item no.	Item no.	Item no.
2P	16A	✓ 040494	✓ 043653	043855
2P	32A	043659	043661	043858
3P	16A	✓ 043654	✓ 043655	✓ 043856
3P	32A	043662	043663	✓ 059620
3P	63A			✓ *011568

Plastic couplings CEE,
cable inlet with anti-kink sleeve, IP44

No. of poles	Strength of current	Item no.	Item no.	Item no.
2P	16A	✓ 043472	043656	043880
2P	32A	043667	043669	043916
3P	16A	043657	043658	✓ 043881
3P	32A	043670	043671	✓ 041843
3P	63A			*011569

Plastic built-in equipment plugs CEE, IP44

No. of poles	Strength of current	Item no.	Item no.	Item no.
2P	16A	051289	034804	051299
2P	32A	051290	051294	051300
3P	16A	051291	051297	051301
3P	32A	051292	051298	051302

Plastic built-in sockets CEE, IP44/IP54

No. of poles	Strength of current	Item no.	Item no.	Item no.
2P	16A	✓ 043712	043713	043890
2P	32A	043716	043718	043921
3P	16A	043714	043715	043891
3P	32A	043719	043720	041793
3P	63A			✓ *011570

Plastic wall equipment plugs CEE,
cable inlet prepared with M25 thread, IP44

No. of poles	Strength of current	Item no.	Item no.	Item no.
2P	16A	043738	043739	051303
2P	32A	043744	043746	051305
3P	16A	043740	043743	051306
3P	32A	043748	043749	051307

Plastic wall sockets CEE,
cable inlet prepared with M25 thread, IP44

No. of poles	Strength of current	Item no.	Item no.	Item no.
2P	16A	043473	043694	043901
2P	32A	043698	043699	043905
3P	16A	043695	043696	043902
3P	32A	043700	043701	043906

*Not suitable with HF solid rubber range 50V

✓ from stock, offer subject to prior sale.
Technical Information on page 4.
Other versions available on request.

Plugs/Couplings/ Built-in sockets/Wall sockets



Designation	Protection category	No. of poles	Strength of current	Cable inlet	Item no.	Item no.
Plug	IP44	2P+E	16 A	M20	✓ 010049	
Plug	IP44	3P+N+E	16 A	M25		✓ 010101
Coupling	IP44	2P+E	16 A	M20	✓ 010058	
Coupling	IP44	3P+N+E	16 A	M25		✓ 010115



Designation	Protection category	No. of poles	Strength of current	Cable inlet	Item no.	Item no.
Plug	IP44	3P+N+E	32 A	M32		✓ 010105
Coupling	IP44	3P+N+E	32 A	M32		✓ 010118



Designation	Protection category	No. of poles	Strength of current	Cable inlet	Item no.	Item no.
Plug	IP67	3P+N+E	63 A	M40		✓ 010111



Designation	Protection category	No. of poles	Strength of current	Cable inlet	Item no.	Item no.
Built-in socket	IP44	2P+E	16 A		✓ 010067	
Built-in socket	IP44	3P+N+E	16 A			✓ 010127*
Wall socket	IP44	2P+E	16 A	M20	010081	
Wall socket	IP44	3P+N+E	16 A	M20		✓ 010146

* Normal flange (100×100)

** Narrow flange (80×100)



Designation	Protection category	No. of poles	Strength of current	Cable inlet	Item no.	Item no.
Built-in socket	IP44	3P+N+E	32 A			✓ 010134
Wall socket	IP44	3P+N+E	32 A	M25		✓ 010149

✓ from stock, offer subject to prior sale.
 Technical Information on page 4.
 Other versions available on request.

Low voltage /high frequency solid rubber range (CEE) Special devices CEE /Adapters

Low voltage/high frequency Adapter plate and plug-socket



Solid rubber plug CEE IP44

No. of poles	Strength of current	Cable inlet	Item no.
3P	32A	(for cable-Ø 13.5-23mm)	✓ 010240



Solid rubber coupling CEE IP44

No. of poles	Strength of current	Cable inlet	Item no.
3P	32A	(for cable-Ø 13.5-23mm)	✓ 010244



Solid rubber built-in socket CEE IP44

No. of poles	Strength of current	Cable inlet	Item no.
3P	32A		✓ 010248



Solid rubber wall socket CEE IP44

No. of poles	Strength of current	Cable inlet	Item no.
3P	32A	M20	051269



Conversion kits for a change-over on the frequency converter (vibrator)

Hard rubber adapter plate	
029353	Rectangular 90×110 mm (for Busch-Nova)

Complete conversion kit: Adapter plate and plug-socket incl. seal	
033516	Busch-Nova to CEE 32A/3P

Phase-sequence test plugs / Phase inverters/Adapters



Test plug IP44

Item no.	No. of poles	Voltage (50-60 Hz)	Strength of current
✓ 056047	3P+N+E	400V	16A
✓ 056048	3P+N+E	400V	32A
056659	3P+N+E	400V	63A



Phase inverter IP44/IP54

Item no.	No. of poles	Voltage (50-60 Hz)	Strength of current
✓ 051309	3P+N+E	400V	16A
✓ 051310	3P+N+E	400V	32A



Adapter CEE-Schuko IP44

Item no.	No. of poles	Voltage (50-60 Hz)	Strength of current
✓ 050997	2P+E	230V	16A

Input: CEE 16A-plug
Output: Shock-proof coupling with cover



Fixed adapter CEE7-T12 IP20

Item no.	No. of poles	Voltage (50-60 Hz)	Strength of current
✓ 012146	2P+E	230V	10A

Oneway mounting, not anymore demountable, with plug-in assistance

✓ from stock, offer subject to prior sale.
Technical Information on page 4.
Other versions available on request.

Sockets

Plug adapter

Multiple coupling

- Plug adapter with suspension
- Plug adapter phase inverter with suspension
- Multiple coupling with suspension

offer the greatest possible flexibility on all building sites and service environments; versions with retaining clips also available.



Panelmounted socket outlet, angled IP44 / IP54



No. of poles	Strength of current	Item no.	Item no.
3P	16 A	148316	

Lockable with a padlock for camping- and harbour power connectors



Plug adapter IP44

No. of poles	Strength of current	Item no.	Item no.
3P+N+E	16 A		✓ 029757

Input: CEE 32 A
Output: CEE 16 A via automatic cut-out



Plug adapter phase inverter IP44

No. of poles	Strength of current	Item no.	Item no.
3P+N+E	16 A		✓ 029760

Input: CEE 32 A
Output: CEE 16 A via automatic cut-out



Multiple coupling with suspension IP44

No. of poles	Strength of current	Item no.	Item no.
3P+N+E	16 A		✓ 050998

Input: CEE 16 A
Output: 3 × CEE 16 A



Multiple coupling with suspension IP44

No. of poles	Strength of current	Item no.	Item no.
3P+N+E	32 A		✓ 029756

Input: CEE 32 A
Output: 3 × CEE 32 A

Right-angle plug

- Right-angle plug, also screwless
 - Right-angle plug phase inverter, also screwless
- suitable for cramped spaces, opening and closing at the touch of a finger (without tools), faultless connection as a result of clearly identified clamps.



Right-angle plug IP44



No. of poles	Strength of current	Item no.	Item no.
3P	16 A	*030546	
4P	16 A		*030548
5P	16 A		*103274
5P	16 A		049955
5P	32 A		049956

*screwless plug



Right-angle plug IP67

No. of poles	Strength of current	Item no.	Item no.
3P	16 A	*030547	
4P	16 A		*030549
5P	16 A		*145739
5P	32 A		*114811

*screwless plug



Right-angle plug phase inverter IP44

No. of poles	Strength of current	Item no.	Item no.
3P+E	16 A		030550



Right-angle plug phase inverter IP67

No. of poles	Strength of current	Item no.	Item no.
3P+E	16 A		030551

✓ from stock, offer subject to prior sale

RCCB safety adapters / Multi-couplings / Schuko / NF version

RCCB safety adapters Multi-couplings

- safety adapter range and personal safety adapters provide excellent protection of people and property.
- multi-couplings 3x type 13/3x type 23 for special applications, supplied with or without cable



Personal safety switch PRCD/IP55, for optimum personal safety as intermediate cord device

Item no.	Voltage (50-60 Hz)	Strength of current
✓ 059069*	230V	16A/10mA
✓ 109944**	230V	16A/30mA

* Type S (Standard)

** Type K (for emergency power generator)



Item no.	Voltage (50-60 Hz)	Strength of current
✓ 222286	230V	16A/30mA

Type S+ (Standard)

Multi-couplings 3xT13, 230V/10A IP55



Item no.	Feed-in cable	No. of poles
✓ 228543	without cable	P+N+E
✓ 228506	cable 5m/ 3x1.5mm ² /T13	P+N+E
✓ 228521	cable 10m/ 3x1.5mm ² /T13	P+N+E
✓ 228508	cable 5m/ 5x1.5mm ² /T15	P+N+E
228523	cable 10m/ 5x1.5mm ² /T15	P+N+E



Coupling 3xType 23, 230V/16A IP54



Item no.	Feed-in cable	No. of poles
✓ 228544	without cable	P+N+E

Safety plugs and sockets/NF version

- The earthing contact plugs and sockets for 250V/16A and the plugs and sockets for the French NF standard for 250V/16A are made of solid rubber (built-in socket made of high quality plastic) and fitted with nickel-plated contacts.



Plugs Schuko IP54

Item no.	No. of poles	Voltage (50-60 Hz)	Strength of current
✓ 010343	P+N+E	250V	16A



Coupling Schuko IP54

Item no.	No. of poles	Voltage (50-60 Hz)	Strength of current
✓ 010344	P+N+E	250V	16A



Built-in socket Schuko IP54

Item no.	No. of poles	Voltage (50-60 Hz)	Strength of current
✓ 014750	P+N+E	250V	16A



Plugs NF IP44/IP54

Item no.	No. of poles	Voltage (50-60 Hz)	Strength of current
✓ 020336	2P+E	250V	16A



Coupling NF IP20 (IP if plugged in IP44)

Item no.	No. of poles	Voltage (50-60 Hz)	Strength of current
✓ 020338	2P+E	250V	16A



Built-in socket Schuko F/B IP54

Item no.	No. of poles	Voltage (50-60 Hz)	Strength of current
✓ 039085	P+N+E	250V	16A

✓ from stock, offer subject to prior sale

Various plugs and sockets

Range of popular plugs and sockets (particularly in Switzerland) and as well built-in sockets RJ45. All articles for indoor use IP20.



Item no.	Designation
✓ 028498	Built-in socket 1×RJ45 Cat.6a Modul 8(8) yellow IP55 (incl. flat seal)
✓ 026235	Built-in socket 2×RJ45 Cat.6a Modul 8(8) yellow IP55 (incl. flat seal)



Item no.	Designation
024274	Distribution plug 3×type 13, Nylon white 2P+E, 10A, 230V



Item no.	Designation
✓ 010366	Plug type 12, polycarbonate black L+N+PE, 10A, 230V
✓ 010365	Coupling type 13, Polyamide black, 2P+E, 10A, 230V



Item no.	Designation
✓ 027785	Built-in socket type 13, Polyamide, black, 2P+E, 10A, 230V
✓ 010355*	Built-in socket 3×type 13, Nylon black, 2P+E, 10A, 230V

* available while stocks last



Item no.	Designation
✓ 054924	Plug type 12, Polyamide white 2P+E, 10A, 230V
✓ 041991	Coupling type 13, Polyamide white, 2P+E, 10A, 230V



Item no.	Designation
✓ 044358	Plug type 23, Plastic/2P+E, 16A, 230V/50-60Hz
✓ 044365	Coupling type 23, Plastic/2P+E, 16A, 230V/50-60Hz



Item no.	Designation
✓ 010357	Distribution plug 3×type 13 Nylon white 2P+E, 10A, 230V



Item no.	Designation
✓ 044374	Plug type 25, Plastic/2P+N+E, 16A, 230/400V/50-60Hz
✓ 044378	Coupling type 25, Plastic/2P+N+E, 16A, 230/400V/50-60Hz

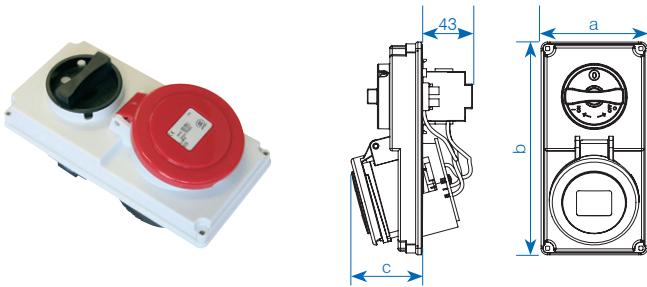
✓ from stock, offer subject to prior sale

Switchable wall sockets

Mechanically locked, lockable with a padlock

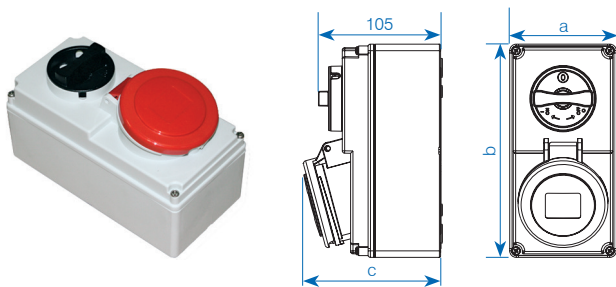
- Solid version made out of impact-proofed PC/ABS plastic
- Wired, ready for connection
- Lockable with a padlock when disconnected
- Version with protective cover for 6 modules, integrated DIN-rail for RCDs and MCBs

- Mechanical interlock:
 - The plug is interlocked **after plug-in and turned-on**
 - The switch is interlocked **after shut-off and pulling out the plug**



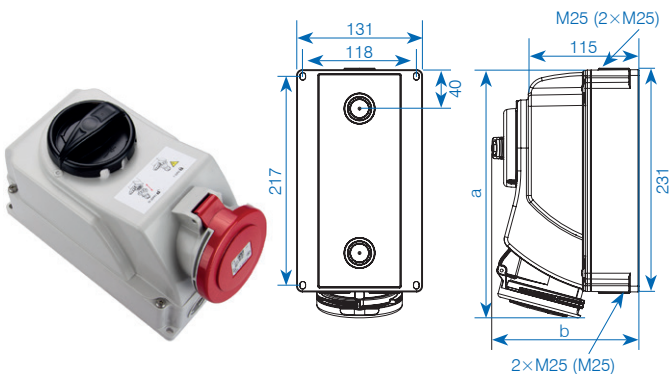
Switchable wall sockets IP44/IP54 without housing for fittings – compact range

Item no.	No. of poles	Voltage (50-60 HZ)	Strength of current	Dimensions
043836	3P+E	400V	16A	a=90/b=180/c=59
043838	3P+N+E	400V	16A	a=90/b=180/c=60
043837	3P+E	400V	32A	a=90/b=180/c=66
043840	3P+N+E	400V	32A	a=90/b=180/c=67



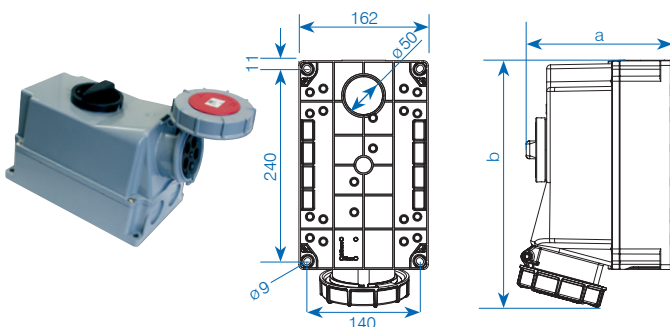
Switchable wall sockets IP44/IP54 including housing for fittings – compact range

Item no.	No. of poles	Voltage (50-60 HZ)	Strength of current	Dimensions
043826	3P+E	400V	16A	a=90/b=180/c=116
✓ 057219	3P+N+E	400V	16A	a=90/b=180/c=117
043828	3P+E	400V	32A	a=90/b=180/c=123
✓ 057221	3P+N+E	400V	32A	a=90/b=180/c=124



Switchable wall sockets IP44 including housing for AP installation

Item no.	No. of poles	Voltage (50-60 HZ)	Strength of current	Dimensions
✓ 056095	3P+E	400V	16A	a=249/b=153
✓ 016958	3P+N+E	400V	16A	a=249/b=153
057692	3P+E	400V	32A	a=259/b=153
✓ 016960	3P+N+E	400V	32A	a=259/b=153



Switchable wall sockets IP67 including housing for fittings – mechanical interlock

Item no.	No. of poles	Voltage (50-60 HZ)	Strength of current	Dimensions
022489	3P+E	400V	63A	a=184/b=310
✓ 018984	3P+N+E	400V	63A	a=184/b=310

✓ from stock, offer subject to prior sale

Technical informations PowerSAFE



High current carrying capacity

The PowerSAFE connector's advanced contact design achieves its 800 A* continuous rating by utilising an arrangement of 29 transfer bridges. Each transfer bridge is rated at 30 A, giving a total of 870 A per contact.
*Subject to environmental factors, cable choice, etc.

Technical Data

No. of contacts:	1
Max. continuous current rating:	up to 800 A
Surge current:	75 kA
Short circuit rating:	up to 35.5 kA
Cable cross sectional area C.S.A.:	25 mm ² to 300 mm ²
Contact termination:	Screw or crimp connection
Mating method:	Bayonet lock
Operating voltage:	1'000 VAC
Max. rated voltage to earth:	2 kVAC / 3 kVDC
Min. flashover:	9.5 kVDC
Insulation resistance:	>5 MΩ@500VDC
Protection category:	IP67
Protection against electric shock:	IP2X
Flammability:	UL94-V0
Mating cycles:	> 500
Material housing:	thermoplastic
Contact area:	silver

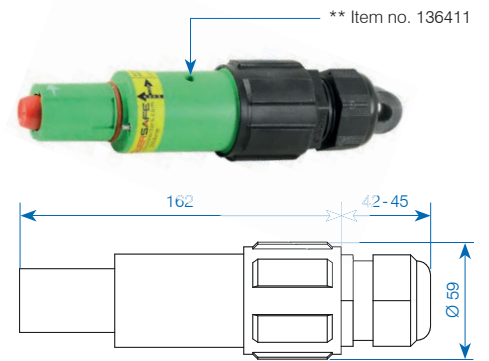
Product features

- maximum continuous current rating 800 A
- colour coded and mechanically keyed to prevent connection errors
- Flame retardant UL94-V0
- Locking mechanism to prevent accidental disconnection under load
- Finger proof contacts both genders (IP2X) to prevent access to electrical contacts when uncoupled
- silver-coated, self-cleaning contacts
- enhanced impact-resistant housing
- Protection category IP67
- for cables between 25 mm² and 300 mm²
- temperature resistant materials
- integrated cable strain relief
- Cable glands with generous clamping range
- Rubber protective caps to protect connectors from moisture, dirt and abrasion when uncoupled (optional)
- compatible with PowerLock
- CE-konform in EN 60309-1, DIN-EN 61984 and IEC 60900

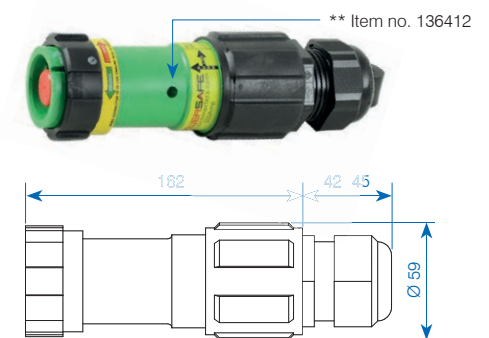
*Adapter sleeves available on request

Dimensions

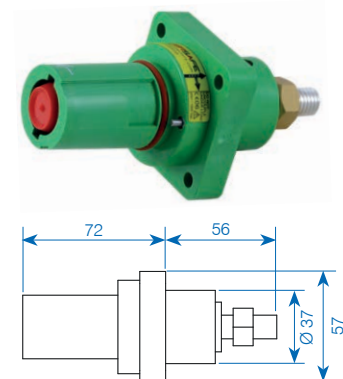
Plug



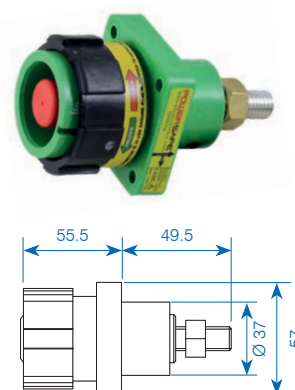
Connector with Rotalock



Plug-in connection



Built-in socket with Rotalock



Explanatory video
assembly PowerSAFE



Assortment

Plug

			Cable diameter 25-150mm ² Screw connection max. 500A	Cable diameter 185mm ² crimp connection max. 800A	Cable diameter 240mm ² crimp connection max. 800A	Protective cap IP67
			Item no.	Item no.	Item no.	Item no.
L1	brown	✓	037821*	✓ 242728	✓ 104992	✓ 106545
L2	black	✓	037822*	✓ 242729	✓ 104993	✓ 106547
L3	grey	✓	037823*	✓ 242730	✓ 104994	✓ 106548
N	blue	✓	037824*	✓ 242731	✓ 104995	✓ 106544
PE	yellow-green	✓	037825*	✓ 242732	✓ 104996	✓ 106543



¹ Item no. 147795

¹ PowerSAFE reduction sleeve set 95 mm²/70 mm²/50 mm²/35 mm²/25 mm² (Item no. 147795)

² Accessories/spare parts: Item no. 136411 (47 mm)

Connector with Rotalock

			Cable diameter 25-150mm ² Screw connection max. 500A	Cable diameter 185mm ² Screw connection max. 800A	Cable diameter 240mm ² Screw connection max. 800A	Protective cap IP67
			Item no.	Item no.	Item no.	Item no.
L1	brown	✓	037816*	✓ 242722	✓ 104981	✓ 106540
L2	black	✓	037817*	✓ 242724	✓ 104982	✓ 106541
L3	grey	✓	037818*	✓ 242725	✓ 104984	✓ 106542
N	blue	✓	037819*	✓ 242726	✓ 104985	✓ 106539
PE	yellow-green	✓	037820*	✓ 242727	✓ 104986	✓ 106538



² Item no. 136411 (47 mm)

² Item no. 136412 (43 mm)

¹ PowerSAFE reduction sleeve set 95 mm²/70 mm²/50 mm²/35 mm²/25 mm² (Item no. 147795)

² Accessories/spare parts: Item no. 136412 (43 mm)

Plug-in connection

			Screw connection thread M12 max. 500A	Screw connection thread M12 max. 800A	Protective cap IP67
			Item no.	Item no.	Item no.
L1	brown	✓	038856	✓ 104997	✓ 113312
L2	black	✓	038857	✓ 104998	✓ 113313
L3	grey	✓	038858	✓ 104999	✓ 113314
N	blue	✓	038859	✓ 105000	✓ 113315
PE	yellow-green	✓	038860	✓ 105001	✓ 113316



³ Item no. 240089

³ 45° adapter kit incl. screws for mounting

Built-in socket with Rotalock

			Screw connection thread M12 max. 500A	Screw connection thread M12 max. 800A	Protective cap IP67
			Item no.	Item no.	Item no.
L1	brown	✓	038851	✓ 104987	✓ 105561
L2	black	✓	038852	✓ 104988	✓ 105563
L3	grey	✓	038853	✓ 104989	✓ 105564
N	blue	✓	038854	✓ 104990	✓ 113311
PE	yellow-green	✓	038855	✓ 104991	✓ 105565



Available on request:
Right-angled plug connector (90° angle) for plug and coupling **without** Rotalock
Cable cross-section max. 240 mm²/800A

³ 45° adapter kit incl. screws for mounting

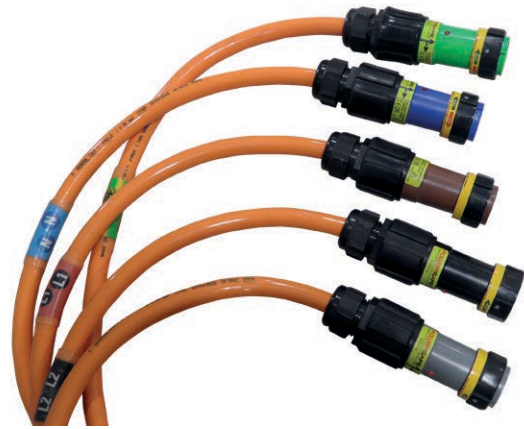
✓ from stock, offer subject to prior sale

Connecting cable set 3P+N+NE
completely ready-made and labelled



Item no.	Plug	Cable	Length	Cable socket
157660	500 A	4×95mm ² /1×50mm ²	5 m	95mm ² /M12
157661	500 A	4×120mm ² /1×95mm ²	5 m	120mm ² /M12
157893	500 A	4×120mm ² /1×95mm ²	10 m	120mm ² /M12
141731	500 A	4×150mm ² /1×95mm ²	5 m	150mm ² /M12
148347	500 A	4×150mm ² /1×95mm ²	10 m	150mm ² /M12

Coupling cable set 3P+N+NE
completely ready-made and labelled



Item no.	Connector	Cable	Length	Cable socket
180157	500 A	4×95mm ² /1×50mm ²	5 m	95mm ² /M12
175473	500 A	4×120mm ² /1×95mm ²	5 m	120mm ² /M12
180158	500 A	4×120mm ² /1×95mm ²	10 m	120mm ² /M12
180159	500 A	4×150mm ² /1×95mm ²	5 m	150mm ² /M12
180160	500 A	4×150mm ² /1×95mm ²	10 m	150mm ² /M12

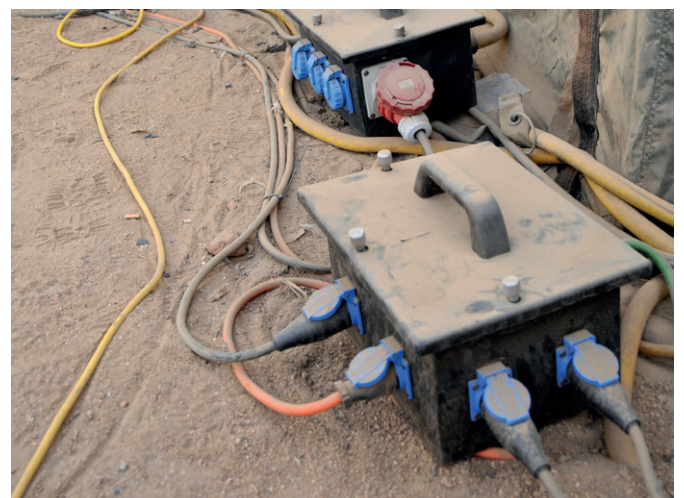
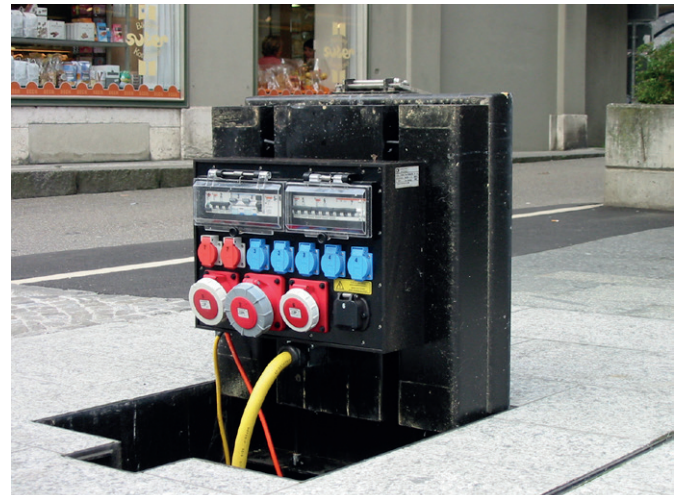
Extension cable set 3P+N+NE
completely ready-made and labelled



Item no.	Plug	Cable	Length	Connector
157812	500 A	4×95mm ² /1×50mm ²	5 m	500 A
161262	500 A	4×95mm ² /1×50mm ²	20 m	500 A
157813	500 A	4×120mm ² /1×95mm ²	5 m	500 A
157895	500 A	4×120mm ² /1×95mm ²	10 m	500 A
163908	500 A	4×120mm ² /1×95mm ²	50 m	500 A
157814	500 A	4×150mm ² /1×95mm ²	5 m	500 A
157816	500 A	4×150mm ² /1×95mm ²	10 m	500 A



Further executions on request.



GET IN TOUCH WITH US

News about the assortment and specific solutions can be found on our website:

www.gifas.ch

We reserve the right to make technical modifications. V 04/24



GIFAS
ELECTRIC

GIFAS-ELECTRIC GmbH
Dietrichstrasse 2
CH-9424 Rheineck

+41 71 886 44 44
+41 71 886 44 49
info@gifas.ch
www.gifas.ch